

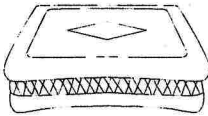

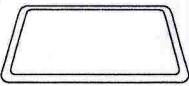
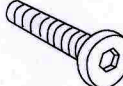
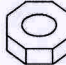
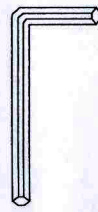
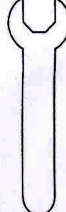
PORTSIDE 6-PIECE SEATING SET



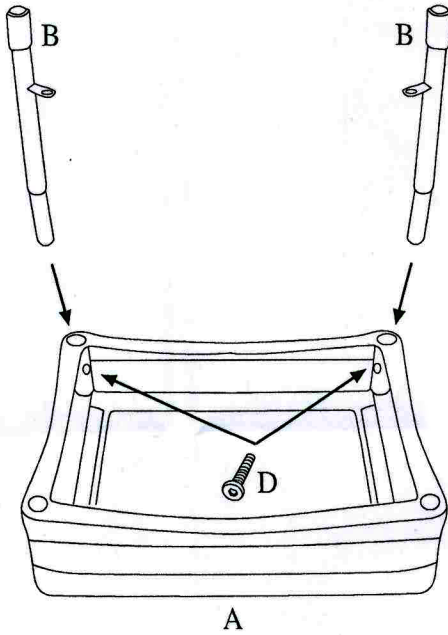
No assembly required for seating pieces | Minor assembly is required for the tables*

ASSEMBLY INSTRUCTION

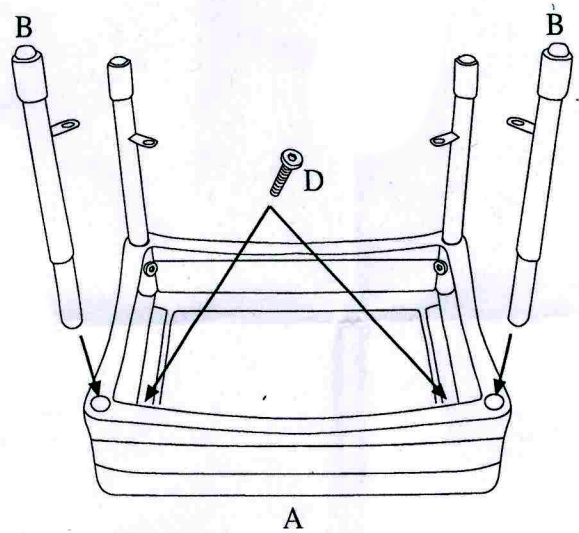
Resin Wicker Table

A)	B)	C)	D)	E)	F)	G)
						
Table top 1 pc	Leg 4 pcs	Shelf 1 pc	Bolt 4 pcs	Nut 4 pcs	Hex Wrench 1 pc	Wrench 1 pc

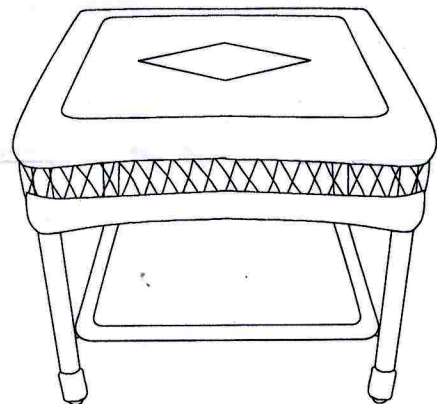
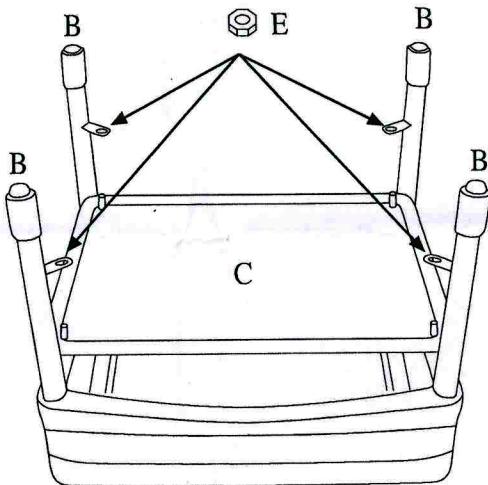
1



2



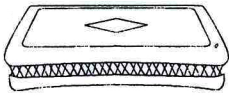
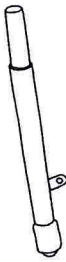
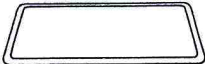
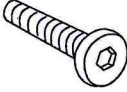
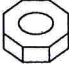

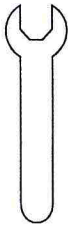
3



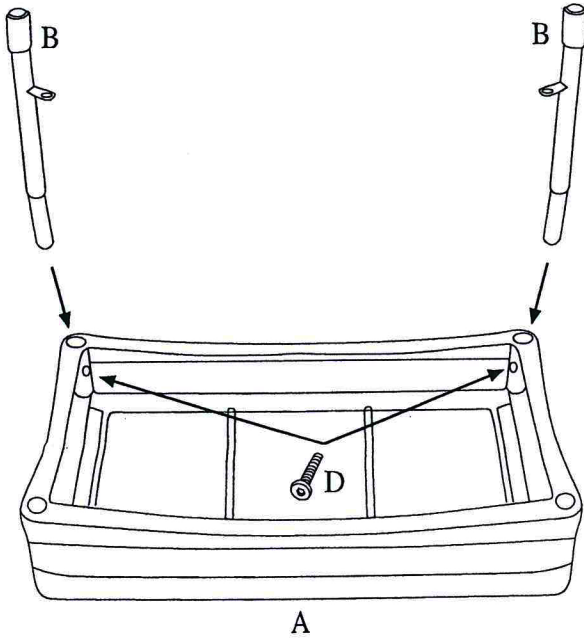
**** BE SURE ALL FASTENERS ARE FULLY TIGHTENED BEFORE USING THE ITEM.**

MADE IN CHINA

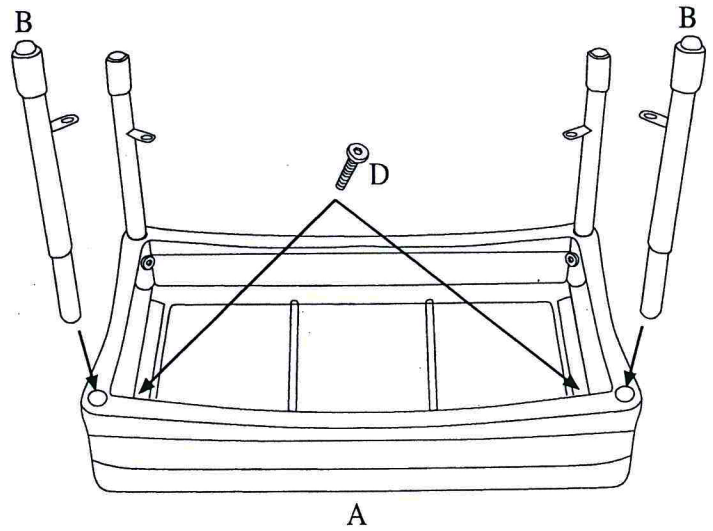
Resin Wicker Table

<p>A)</p>  <p>Table top 1 pc</p>	<p>B)</p>  <p>Leg 4 pcs</p>	<p>C)</p>  <p>Shelf 1 pc</p>	<p>D)</p>  <p>Bolt 4 pcs</p>	<p>E)</p>  <p>Nut 4 pcs</p>	<p>F)</p>  <p>Hex Wrench 1 pc</p>	<p>G)</p>  <p>Wrench 1 pc</p>
---	--	---	---	--	--	--

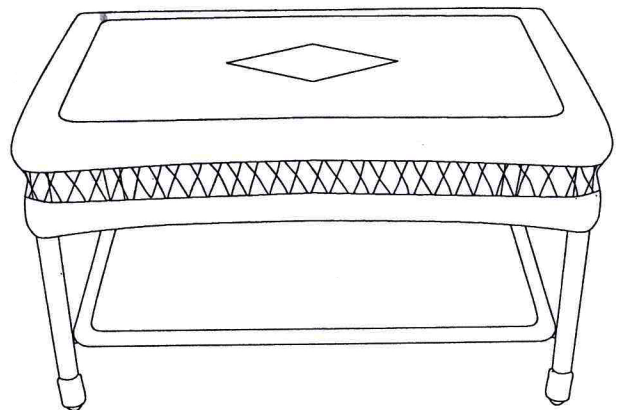
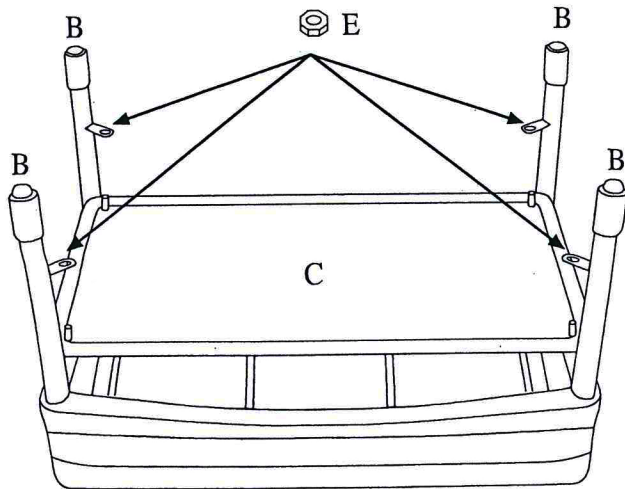
1



2



3



**** BE SURE ALL FASTENERS ARE FULLY TIGHTENED BEFORE USING THE ITEM.**

