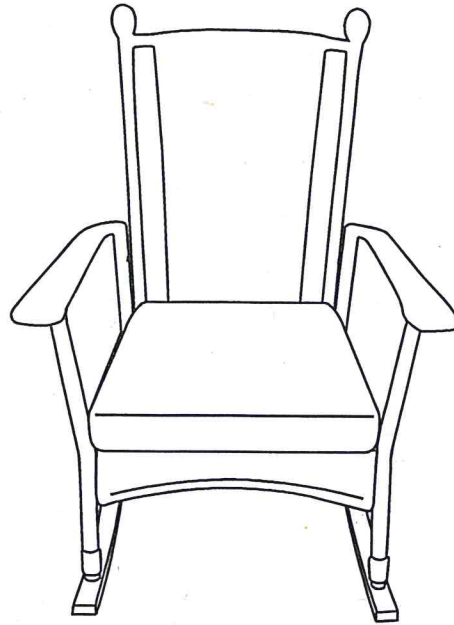


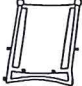

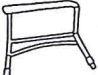


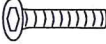



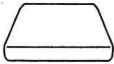
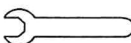

# Assembly Instruction

## Rocker

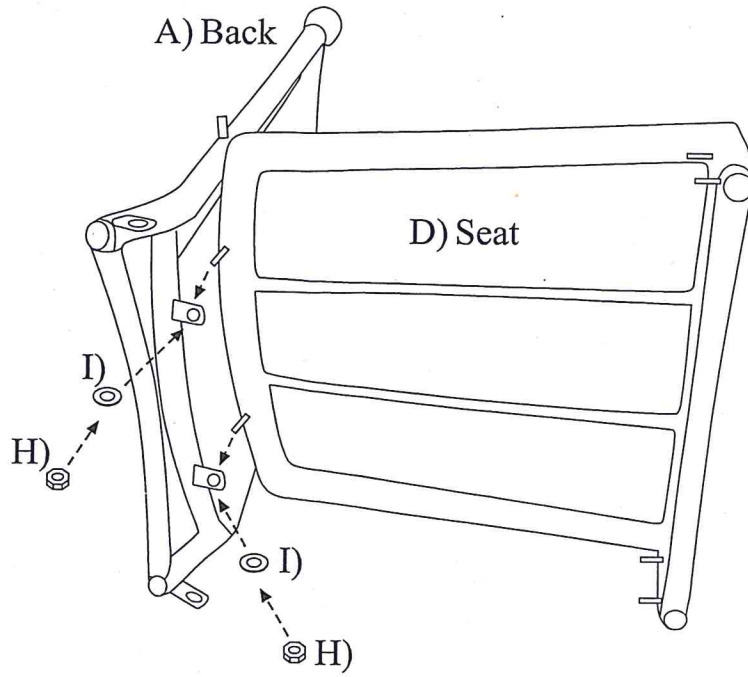
### with Cushion



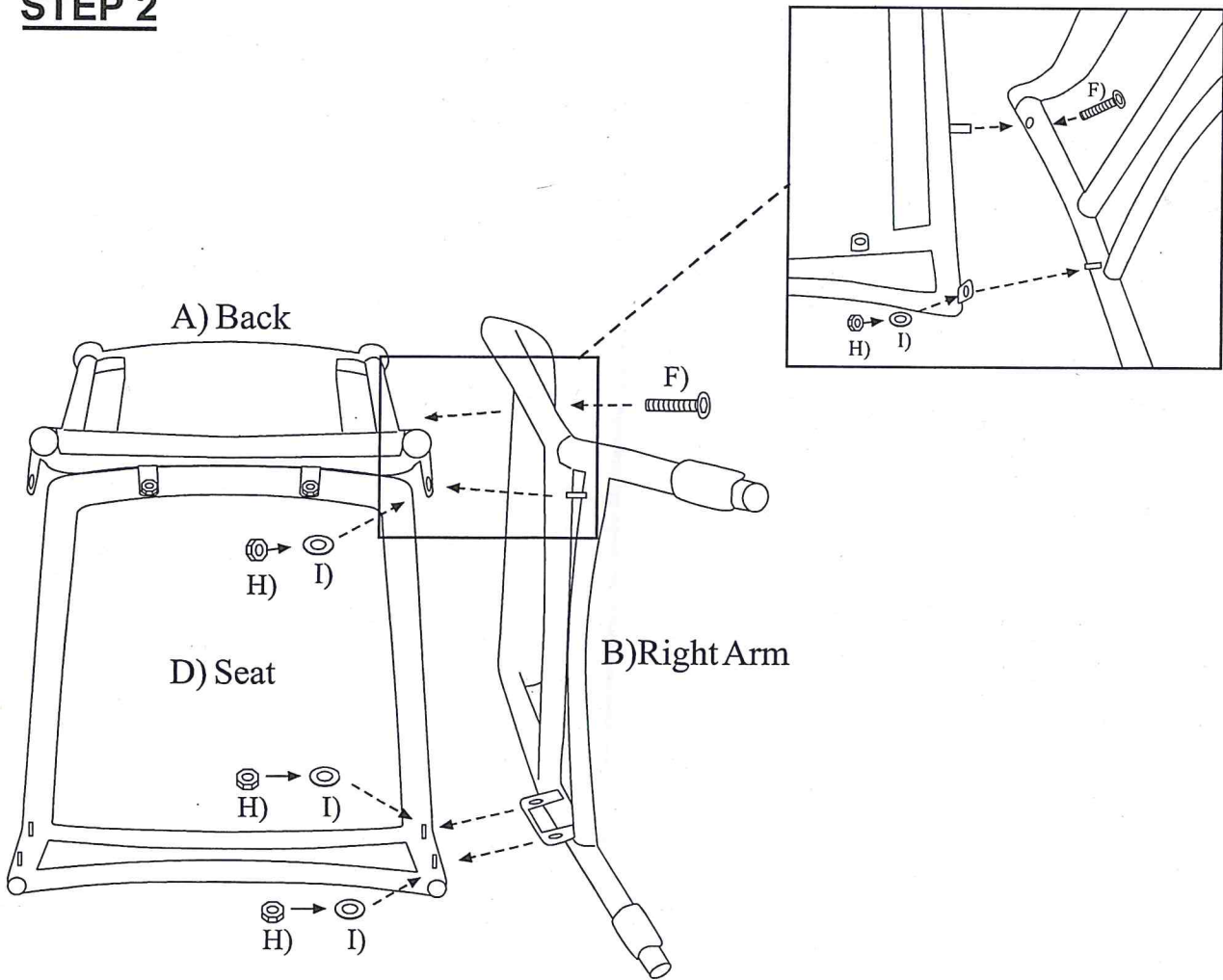
#### PART LIST

PART#	DESCRIPTION	FIGURE	QTY
A	Back Assembly		1
B	Right Arm Side Assembly		1
C	Left Arm Side Assembly		1
D	Seat Assembly		1
E	Runner	back side  front side	2
F	Screws	 Ø 7x20mm	2
G	Screws		4
H	Nuts	 Ø 15mm	8
I	Washer	 Ø 19mm	8
J	Cushion		1
K	Tool		1
L	Tool		1

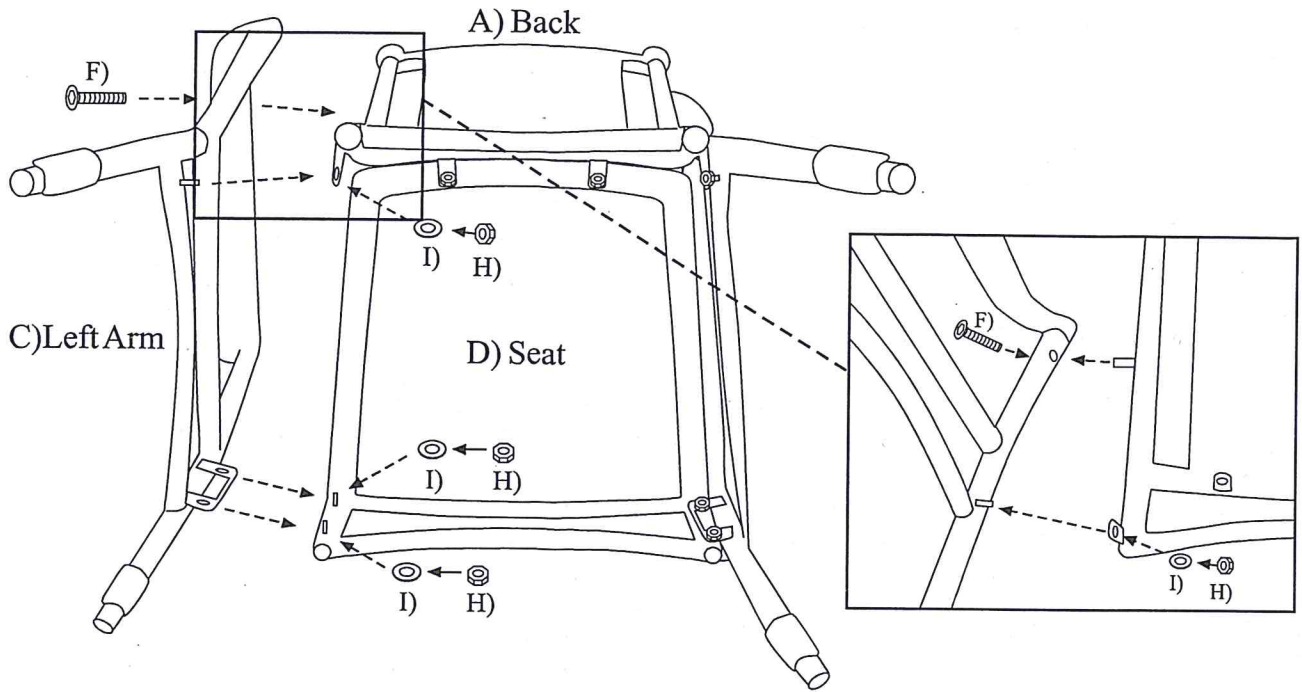
**STEP 1**



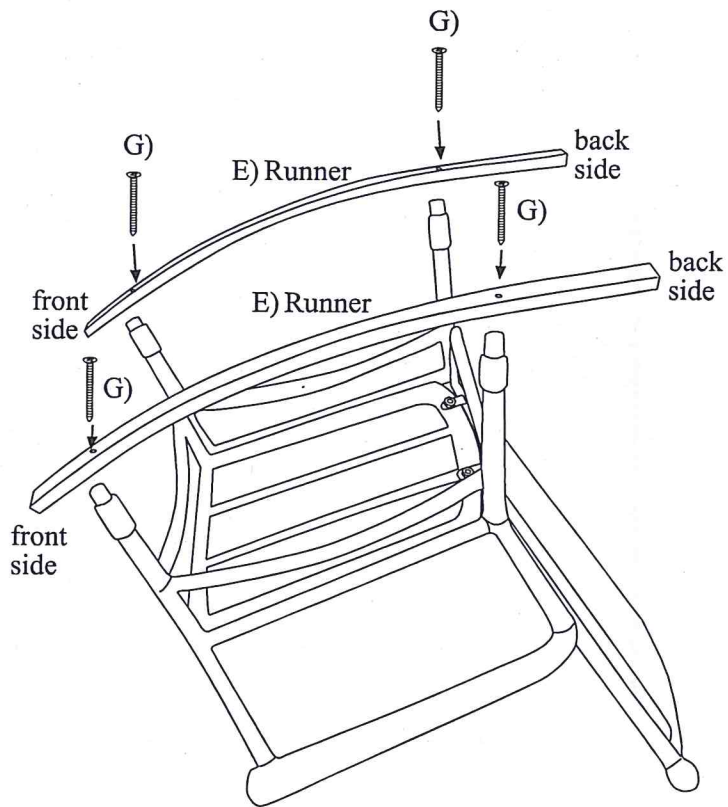
**STEP 2**



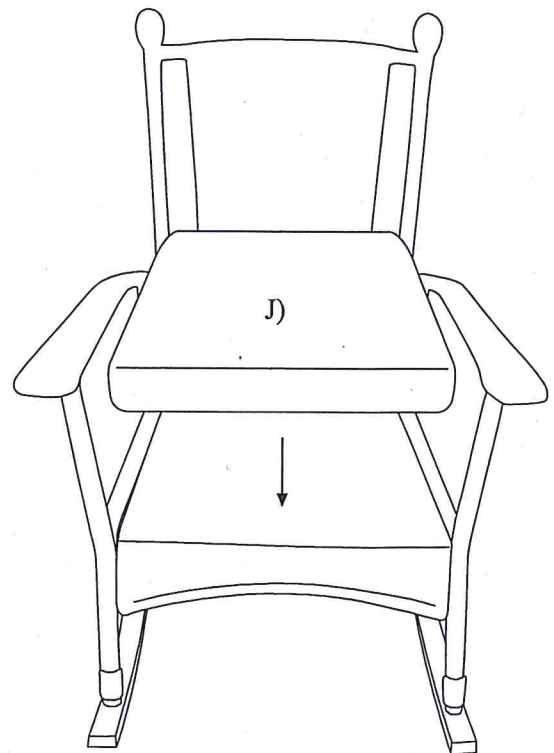
### STEP 3



### STEP 4



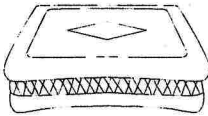

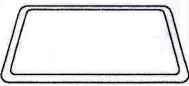
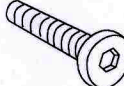
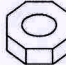
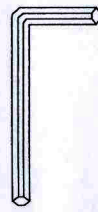
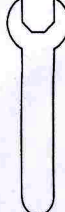
### STEP 5



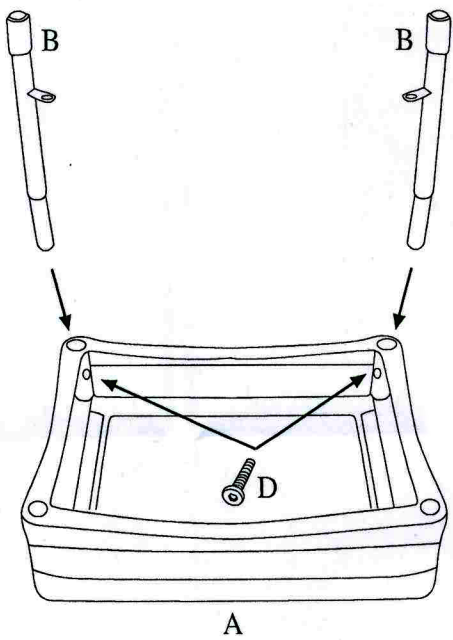
\*\* BE SURE ALL ARE FULLY TIGHTENED BEFORE SITTING ON THE ITEM.

# ASSEMBLY INSTRUCTION

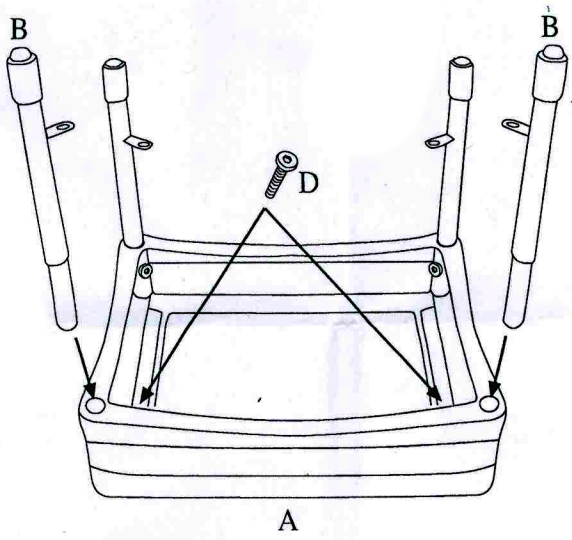
## Resin Wicker Table

A)	B)	C)	D)	E)	F)	G)
						
Table top 1 pc	Leg 4 pcs	Shelf 1 pc	Bolt 4 pcs	Nut 4 pcs	Hex Wrench 1 pc	Wrench 1 pc

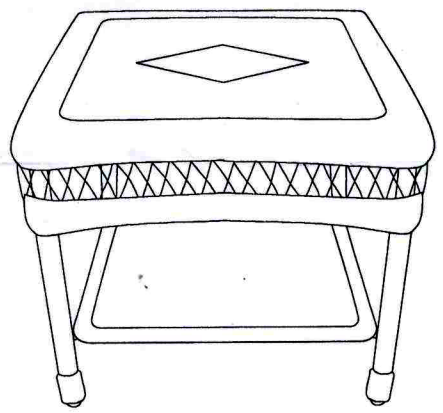
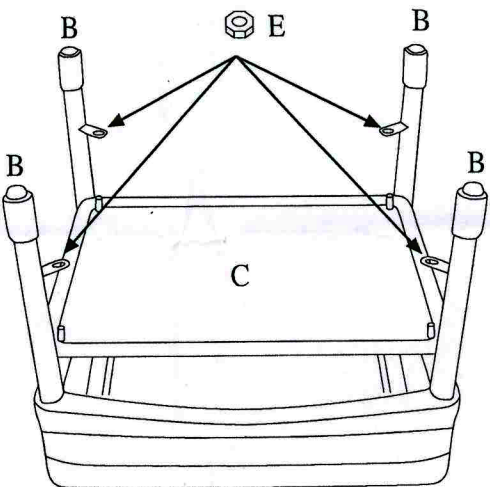
1



2



3



**\*\* BE SURE ALL FASTENERS ARE FULLY TIGHTENED BEFORE USING THE ITEM.**

MADE IN CHINA