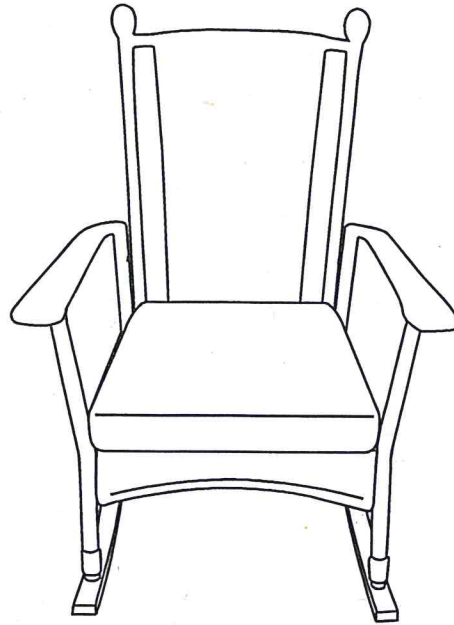


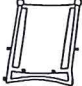

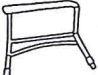


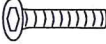



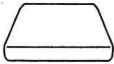
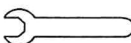

Assembly Instruction

Rocker

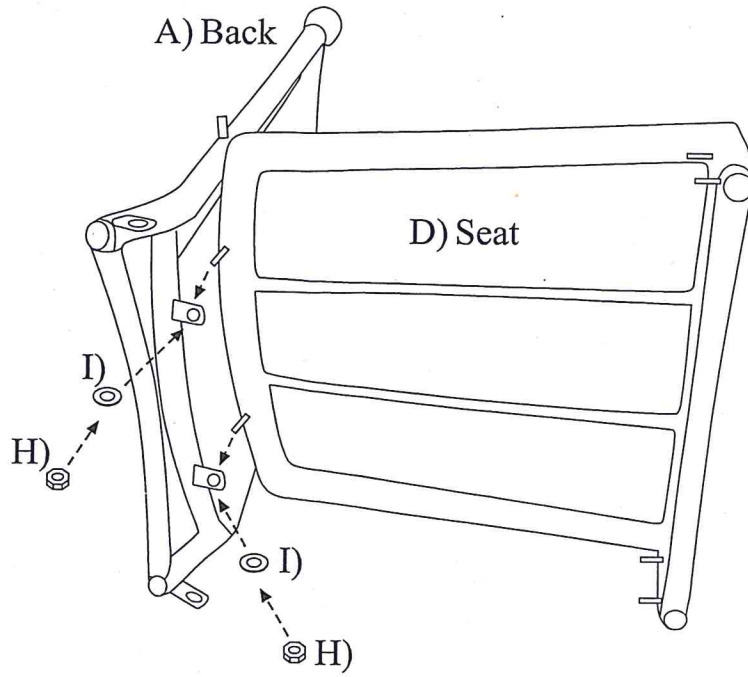
with Cushion



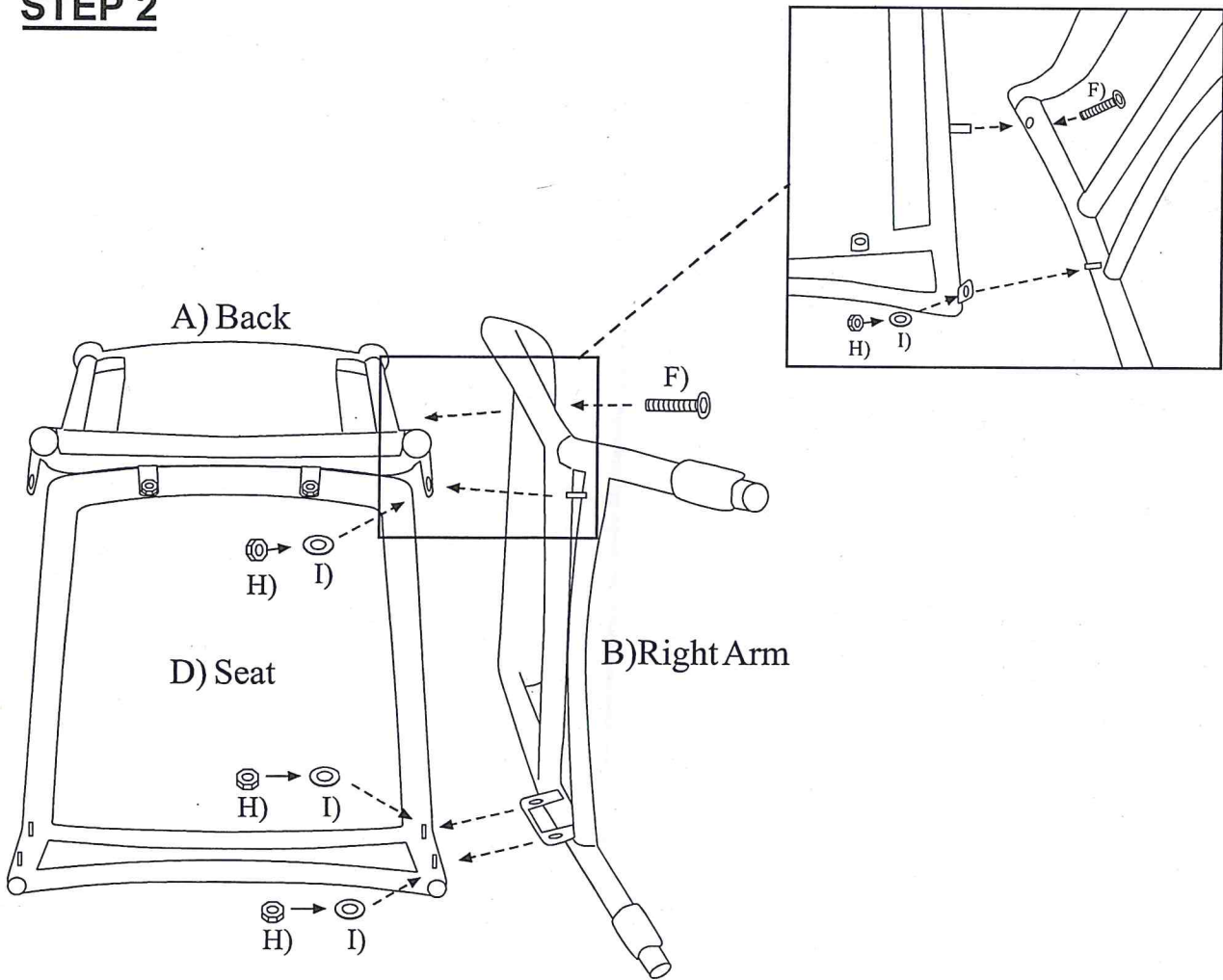
PART LIST

PART#	DESCRIPTION	FIGURE	QTY
A	Back Assembly		1
B	Right Arm Side Assembly		1
C	Left Arm Side Assembly		1
D	Seat Assembly		1
E	Runner	back side  front side	2
F	Screws	 Ø 7x20mm	2
G	Screws		4
H	Nuts	 Ø 15mm	8
I	Washer	 Ø 19mm	8
J	Cushion		1
K	Tool		1
L	Tool		1

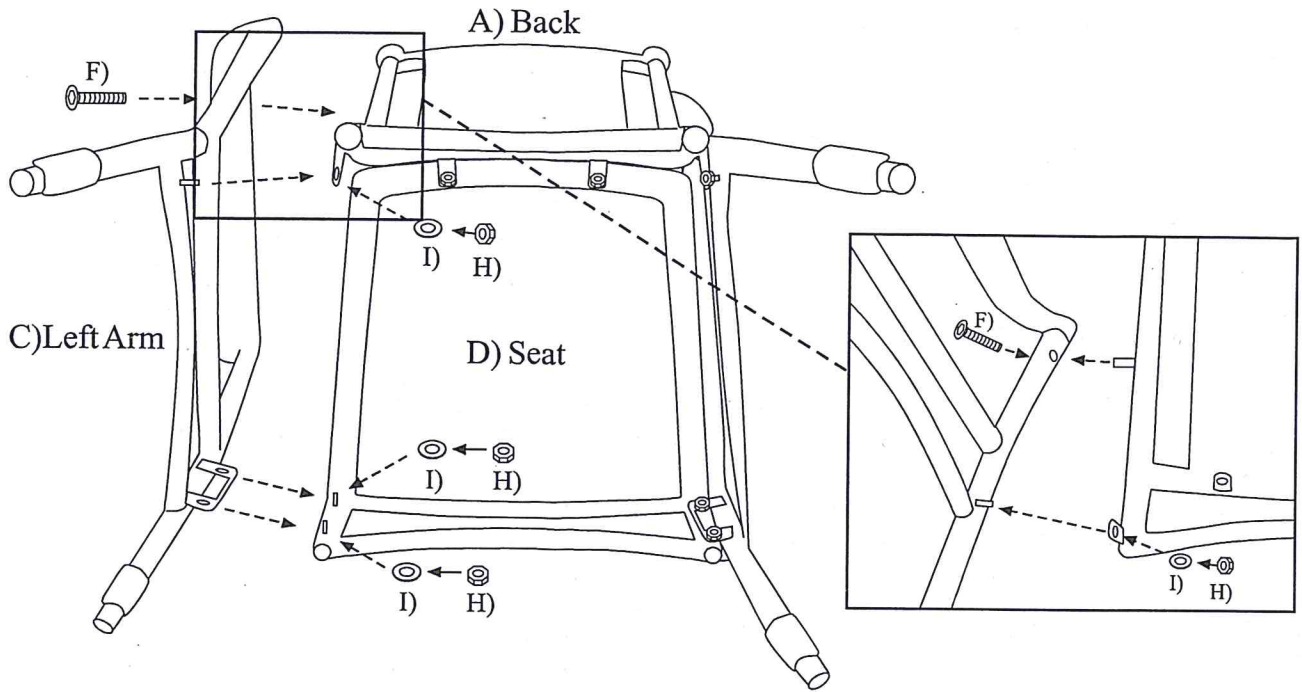
STEP 1



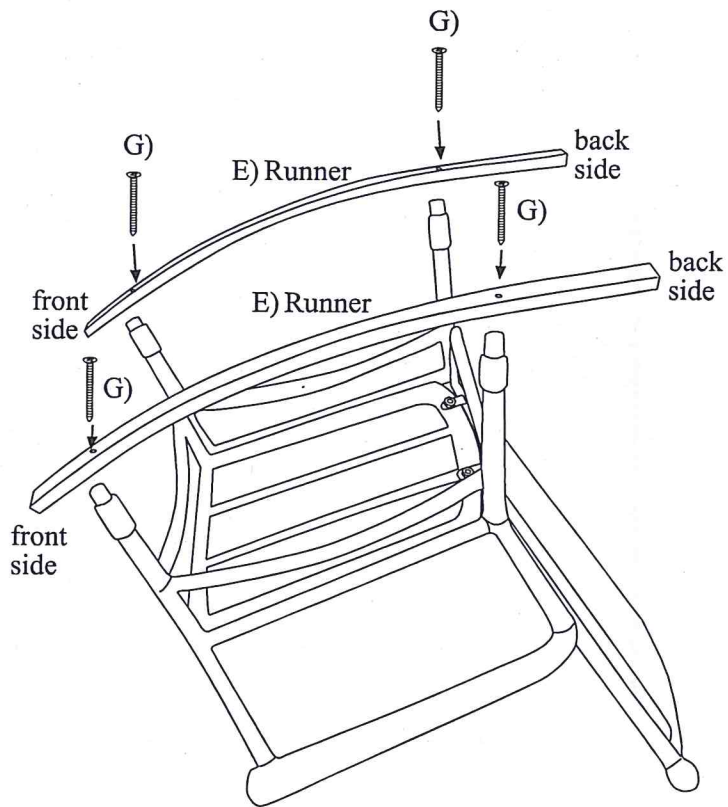
STEP 2



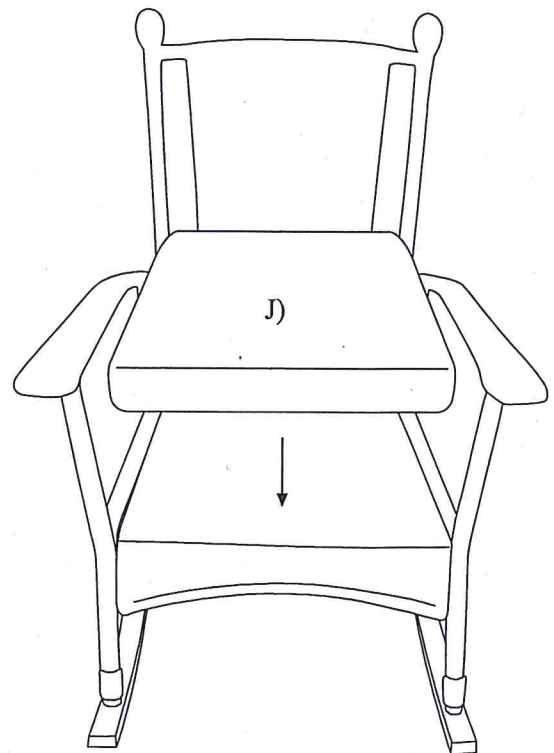
STEP 3



STEP 4



STEP 5



** BE SURE ALL ARE FULLY TIGHTENED BEFORE SITTING ON THE ITEM.