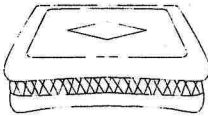

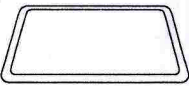
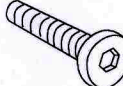
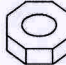
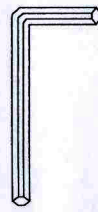
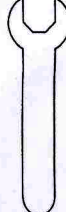
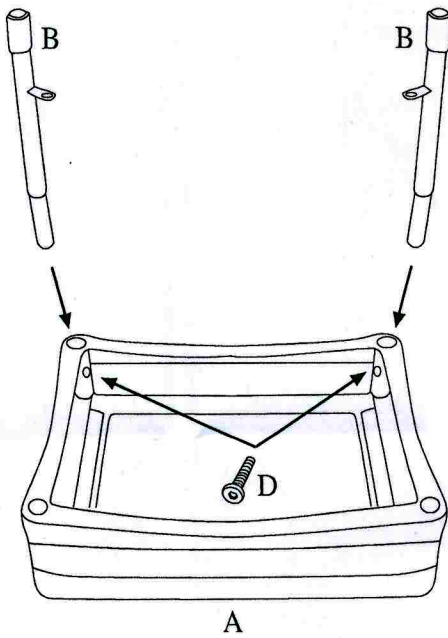


ASSEMBLY INSTRUCTION

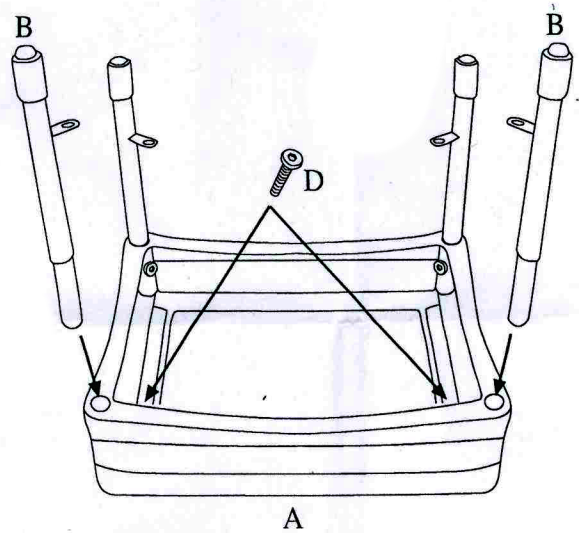
Resin Wicker Table

A)	B)	C)	D)	E)	F)	G)
						
Table top 1 pc	Leg 4 pcs	Shelf 1 pc	Bolt 4 pcs	Nut 4 pcs	Hex Wrench 1 pc	Wrench 1 pc

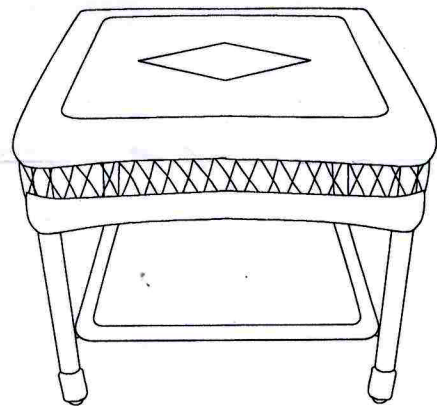
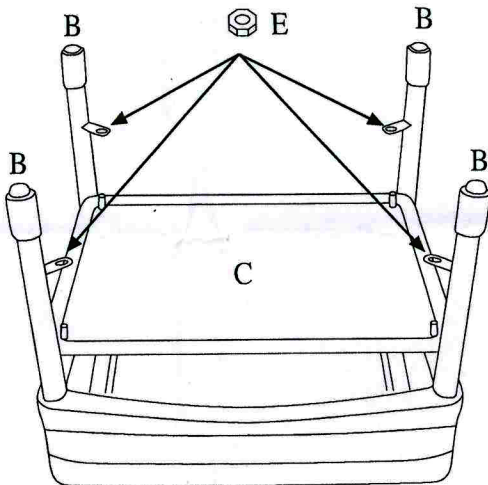
1



2



3



**** BE SURE ALL FASTENERS ARE FULLY TIGHTENED BEFORE USING THE ITEM.**

MADE IN CHINA