














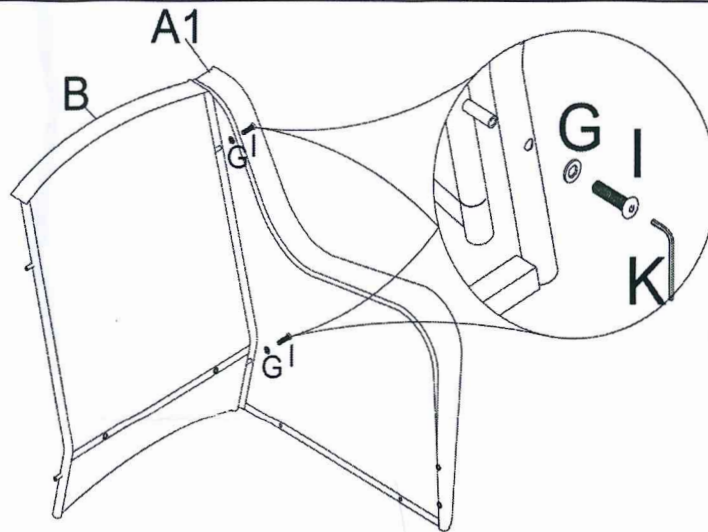


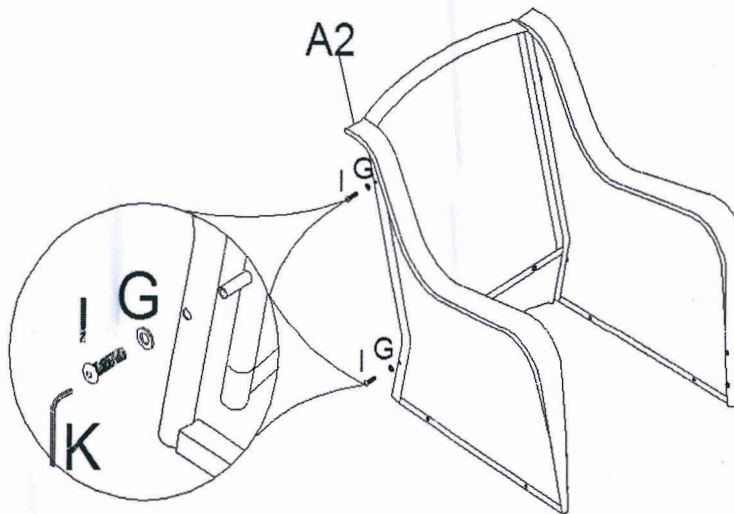
MOTION CHAIR

Parts List:

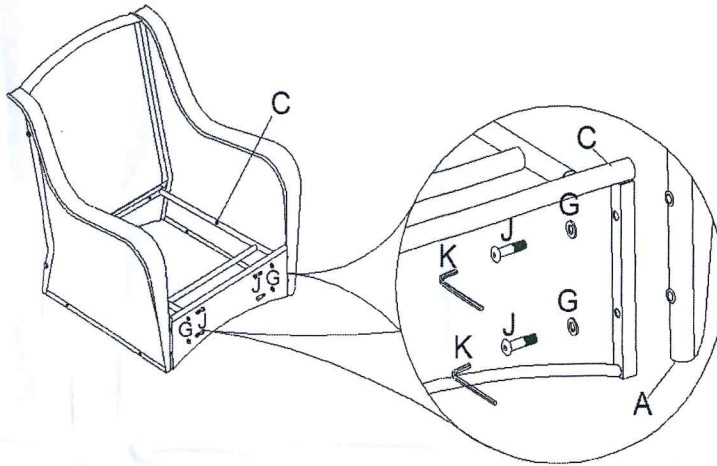
NO.	Part	Qty	Image	NO.	Part	Qty	Image
A1	Left Arm	1		A2	Right Arm	1	
B	Chair Back	1		C	Seat Panel	1	
D	U-shaped Fitting	1		E	Chair Base	1	
F	Spring washer	4		G	Washer	18	
H	Nut	8		I	Screw(φ6x15mm)	4	
J	Screw(φ6x35mm)	14		K	Allen Wrench	1	
L	Open end Wrench	1		M	Seat Cushion	1	
N	Back Cushion	1					



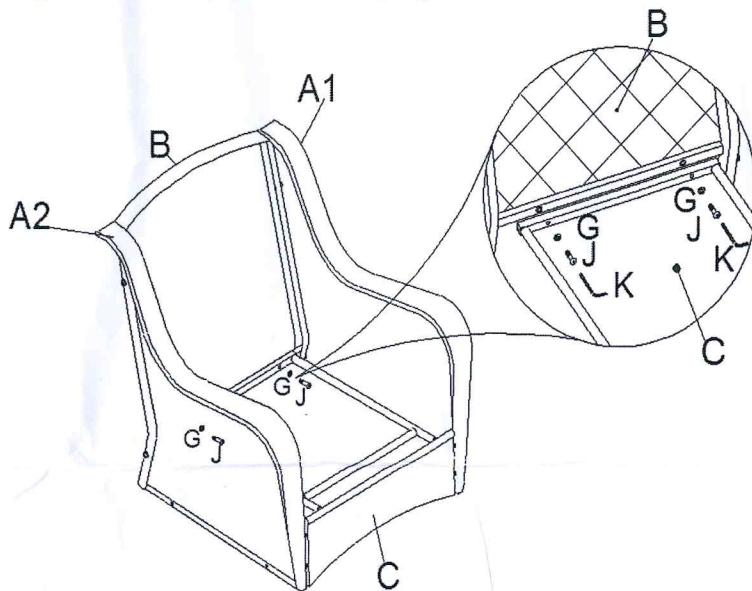
STEP 1: Secure chair back (B) to left arm (A1) with 2 Screws (I) and 2 washers (G) by using allen wrench (K). Do not tighten all screws now.



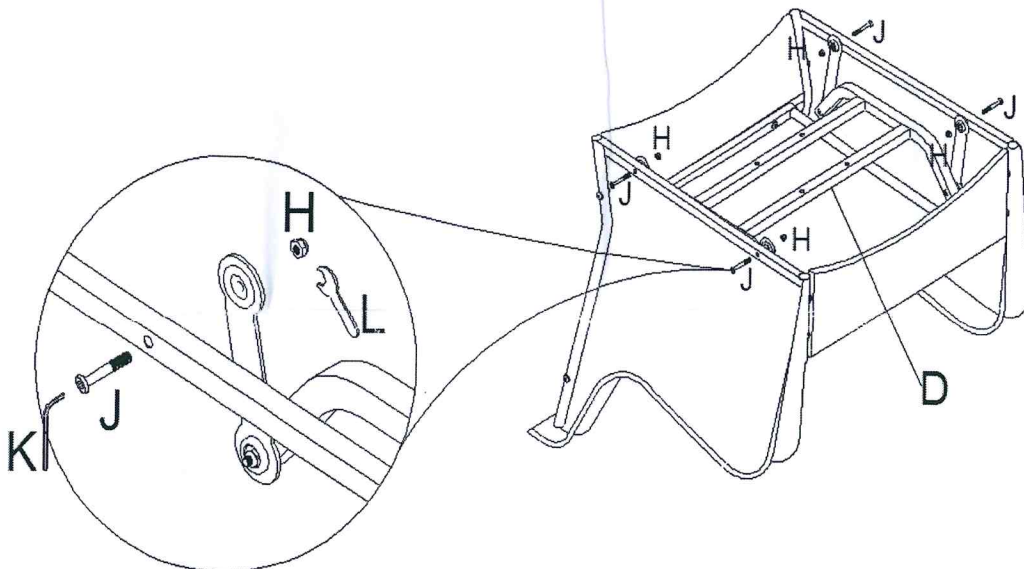
STEP 2: Secure right arm (A2) to assembled chair back (B) with 2 Screws (I) and 2 washers (G) by using allen wrench (K). Do not tighten all screws now.



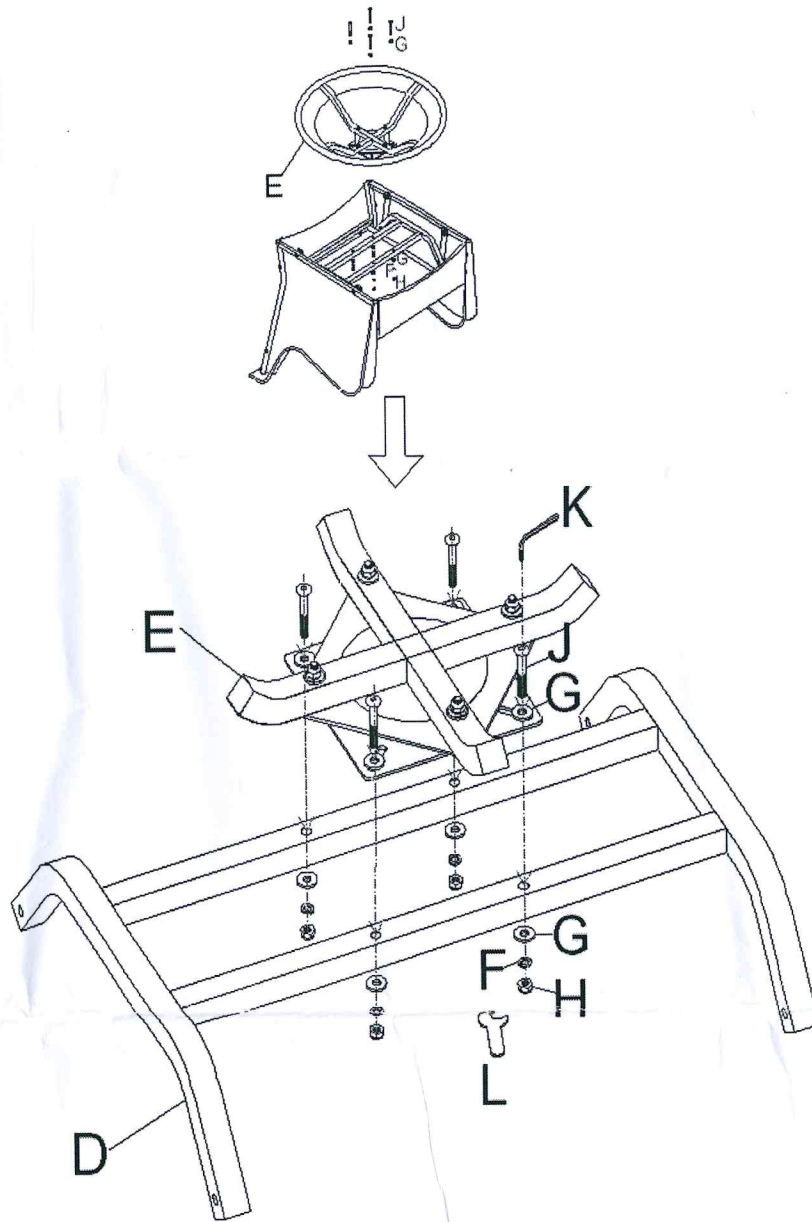
Step 3: Secure seat panel (C) to assembled left and right arms (A1.A2) with 4 screws (J) and 4 washer (G) by using allen wrench (K). Do not fully tighten now.



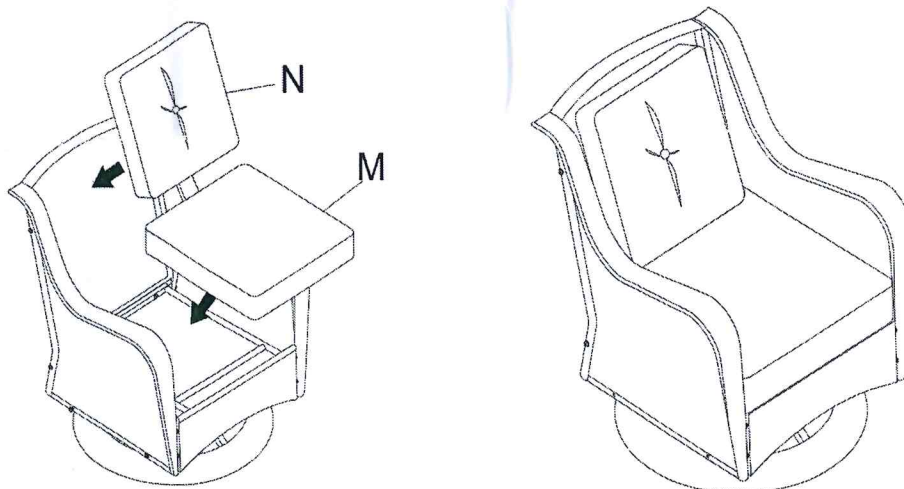
Step 4: Secure seat panel (C) to assembled chair back (B) with 2 screws (J) and 2 washer (G) by using allen wrench (K), verify the alignment and adjust, fully tighten all the screws now.



Step 5: Turn over the assembled chair bucket and secure the swing arm on U-shaped fitting (D) to the bottom tube of left arm (A1) and right arm (A2) with 4 screws (J), and 4 nuts (H) with allen wrench (K) and wrench (L). PLEASE FIX TWO SCREWS IN DIAGONAL POSITION TO KEEP THE BALANCE THEN FIX THE OTHER TWO SCREWS.









Step 6: Push the top plate on the base (E) with different position to make the holes open for ready assembling . Connect the 4 screws (J) through the holes of the plate on the base (E) and the holes on the tube of U-shaped fitting (D) with 8 washers (G) , 4 spring washer (F) and 4 Nuts (H) by using allen wrench (K) and open end wrench (L) . **NOTE: THIS STEP IS VERY IMPORTANT. DO READ THE INSTRUCTION AND DIAGRAM CAREFULLY.**

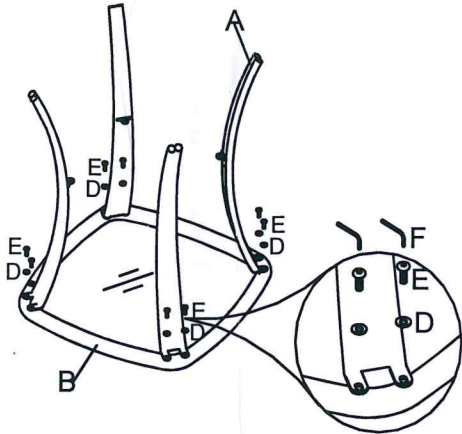


STEP 7 & 8: Put seat cushion (M) and back cushion (N) on the chair. The glider is assembled.

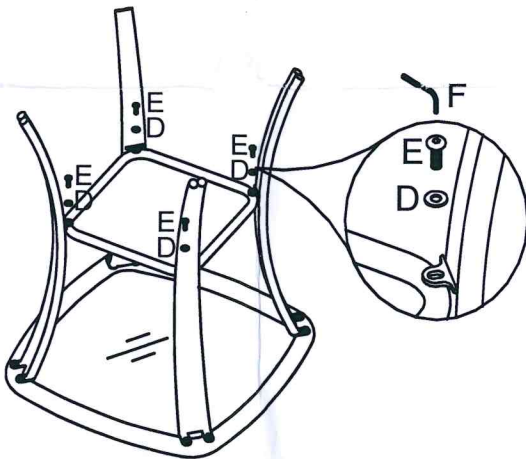
SIDE TABLE

Parts List:

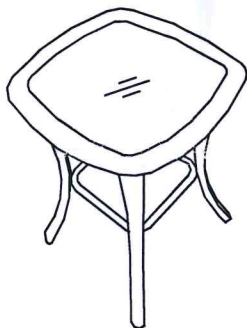
NO.	Part	Qty	Image	NO.	Part	Qty	Image
A	Table Leg	4		B	Glass Table Top	1	
C	Table Tray	1		D	Washer	12	
E	Screw(φ6x12mm)	12		F	Allen Wrench	1	



STEP 1: Assemble 4 table legs (A) to glass table top (B) by using 8 screws (E) and 8 washers (D) with allen wrench (F). Do not tighten all screws now.



STEP 2: Assemble table tray (C) to 4 table legs (A) by using 4 screws (E) and 4 washers (D) with allen wrench (F). Do not tighten all bolts now.



STEP 3: Turn over the assembled table. Verify the alignment and adjust, fully tighten all the screws.