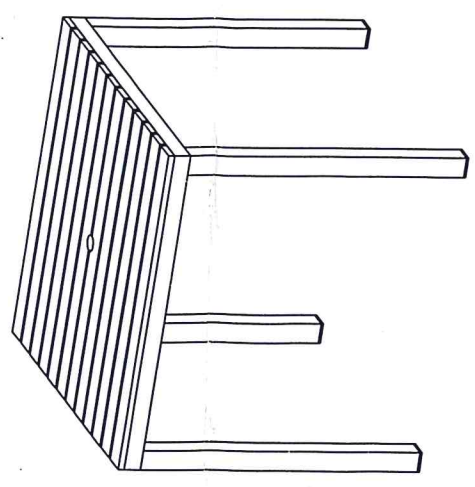
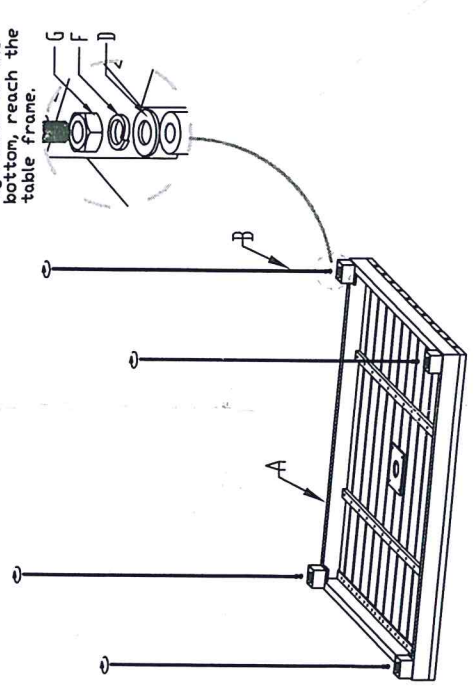


STEP 3

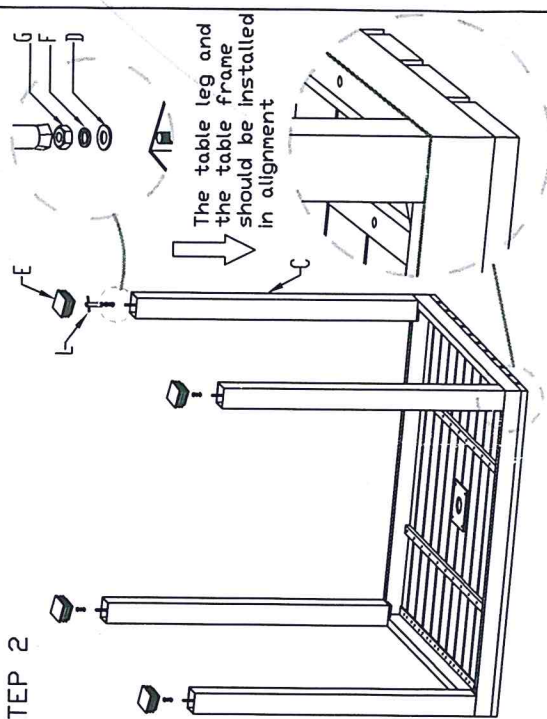


The lead screw should be completely tightened to the bottom, reach the table frame.

STEP 1



STEP 2



| | |
|--------------|--------------|
| <p>A - 1</p> | <p>B - 4</p> |
| <p>C - 4</p> | <p>D - 8</p> |
| | <p>F - 8</p> |
| | <p>G - 8</p> |
| <p>L - 1</p> | <p>E - 4</p> |